



Model 300

Hand-Held Diaphragm Valve Dispensing Systems

- Suitable for low- to medium-viscosity fluids
- Internal diaphragm in valve prevents fluid contact with actuating components within the valve
- Valve design minimizes damage to the valve's actuating components and requires less maintenance
- Lightweight, wand-style valve body for easy and comfortable handling
- When maintenance is necessary, it is simple and quick to perform, minimizing production down-time
- Shot-to-shot consistency (when used with the DVC-345 controller)
- Material flow adjustment on valve for precise control over dispensing volumes
- Compatible with most standard fluid packages and delivery systems

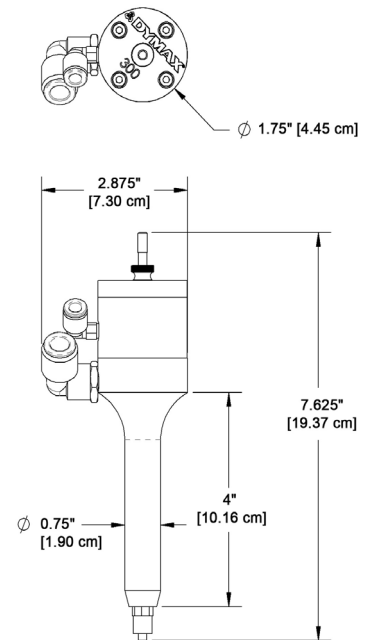
Dymax Model 300 dispensing systems feature a pneumatic, normally closed diaphragm valve that is designed for use with low- to medium-viscosity fluids. The valve's design is compact and lightweight, making it easy and comfortable to handle. The internal diaphragm design of the valve prevents fluid from contacting the actuating components within the valve. This reduces damage and wear to the actuating components, extending the life of the valve and minimizing necessary valve maintenance. This feature also makes this valve ideal for dispensing light-curable materials, solvent-based products, and reactive materials like cyanoacrylates and anaerobics. Accurate, repeatable dispensing can be achieved by utilizing the valve's material flow adjustment to control the shot volume.

The Model 300 is available in several system packages, paired with the Dymax DVC-345 bench-top valve controller and material reservoirs of various styles and sizes. Additional accessories, like a valve stand and various style dispense tips, are also available for this system.



Specifications

Specifications	
Valve Type	Pneumatic diaphragm valve, normally closed
Valve Construction Materials, Wetted Parts	Acetal, PTFE, polyethylene
Operating Air Pressure	60-100 psi (4.1 – 6.9 bar)
Activation	DVC-345 valve controller or 2-position, 4-way solenoid valve
Maximum Fluid Pressure	80 psi (5.5 bar)
Electrical Supply (Controller)	110/220 VAC
Valve Air Inlet Thread	10-32
Valve Fluid Inlet Thread	1/8" (3.2 mm) NPT
Valve Dimensions (H x D)	7.63" x 1.75" (19.37 cm x 4.45 cm)
Valve Weight	3.7 oz (105 g)
Valve Warranty	1 year from purchase



Available System Packages

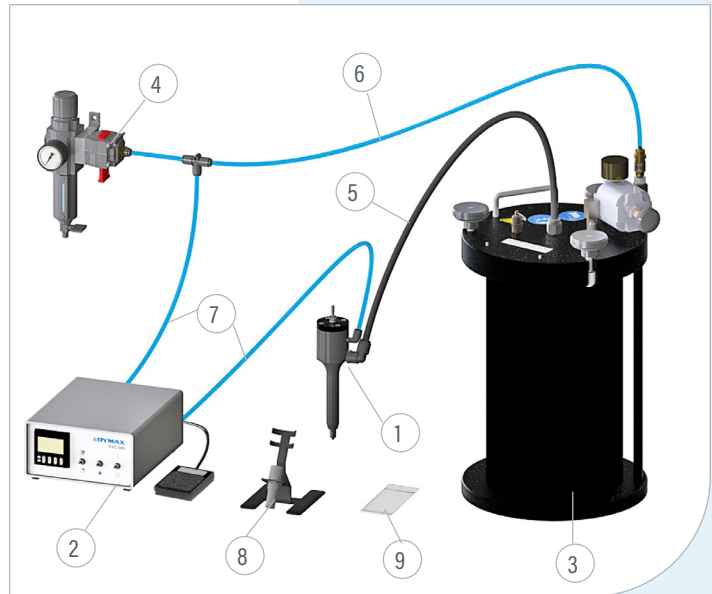
Systems Include:

- Model 300 Handheld Diaphragm Valve
- Selected Reservoir for Fluid Package Used
- DVC-345 Digital Valve Controller
- Air Filter/Regulator - 0-100 psi (0-6.9 bar)
- Controller Air Line Kit
- Fluid Line Kit - 6 ft of Black 3/8"(9.5 mm) OD tubing
- Reservoir Air Line Kit
- Dispensing Tip Kit for Low Viscosity Fluids
- Air Precision Regulator - Includes three pressure gauges:
 - 0-30 psi (0-2 bar) for very low- to medium-viscosity materials
 - 0-60 psi (0-4.1 bar) for medium-viscosity materials
 - 0-100 psi (0-6.9 bar) for high-viscosity materials

Valve Only	System Part Numbers Based on Fluid Package Used				
	Cartridge Drop-In			Large Bottle Drop-In	Pail Drop-In
	6 oz [160 mL]	12 oz [300 mL]	20 oz [550 mL]	Up to 1 Gallon	Up to 15 Liters Straight or Taper
					
T17020	T17699	T17700	T17701	T17702	T17703

Representative Model 300 Dispensing System
(T17702 with Bottle Drop-in Reservoir Shown Below)

Item	Part Number	Description
1	T17020	Model 300 Diaphragm Valve
2	T11146	Model 345 Valve Controller
3	T17004	Bottle Drop-In Tank Assembly with High-Precision Regulator
4	T16307	Filter Regulator with Air On/Off Toggle, 25 Micron
5	T16787	6 Ft of Fluid Line Kit - Black 3/8" OD PE
6	T16789	Reservoir Airline Kit
7	T16786	Controller Airline Kit
8	T15466	Valve Stand
9	P3424	Tip Kit for Low Viscosity Fluids



Representative Model 300 Dispensing System
(T17701 with Cartridge Reservoir Shown Below)

Item	Part Number	Description
1	T17020	Model 300 Diaphragm Valve
2	T11146	DVC-345 Valve Controller
3	T15223	20 oz. Cartridge Retainer Assembly
4	T16307	Filter Regulator with Air On/Off Toggle, 25 Micron
5	T16787	6 Ft of Fluid Line Kit - Black 3/8" OD PE
6	T15279	24" Lab Stand
7	T16789	Reservoir Airline Kit
8	T16786	Controller Airline Kit
9	T16629	High-Precision Regular
10	T15466	Valve Stand
11	P3424	Tip Kit for Low Viscosity Fluids

